



**EVO5 E**  
Exposure

Vianord stand-alone traditional clamshell exposure system utilises **standard UVA tubes** paired with advanced cooling technology for precise and efficient **temperature control**, resulting in a reliable and consistent exposure. For plates up to **132 x 203 cm (52 x 80 inches)**

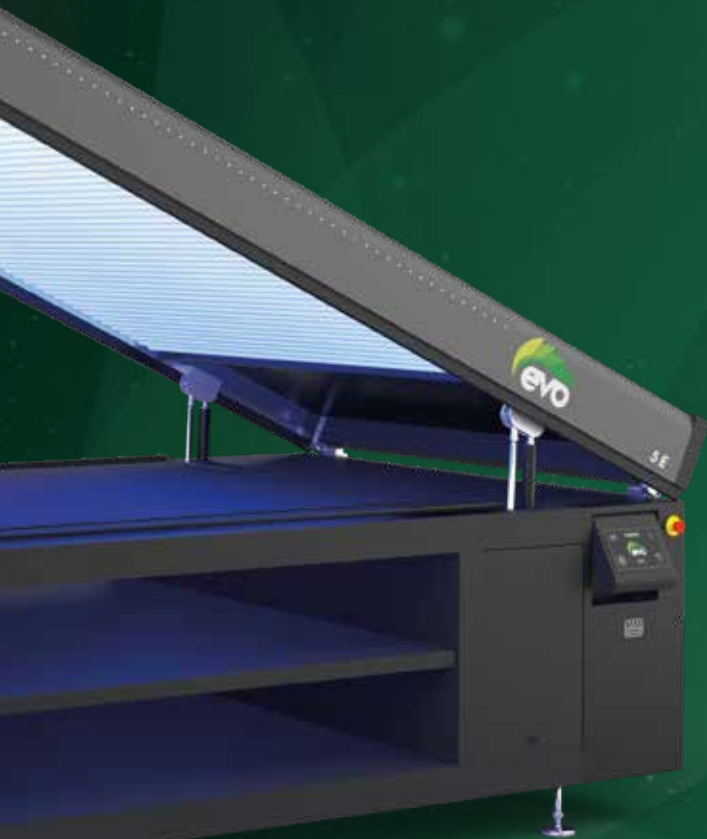


## EVO COMMON FEATURES

- ▷ **Remote** access (optional)
- ▷ Active **component visualisation** during the process
- ▷ **Manual function** to run the components separately (Service only)
  - ▷ Plate process parameters **memory** (up to 24 channels)
  - ▷ **Factory Settings** Reset Option
  - ▷ **Programmable** switch off

## HI-TECH FEATURES

- ▷ **Larger** Control Panel
- ▷ New UI: **Simple, clear, intuitive**
- ▷ **Smarter and energy-efficient** Design
- ▷ **Secure data** & parameters backup and **quick recovery** option



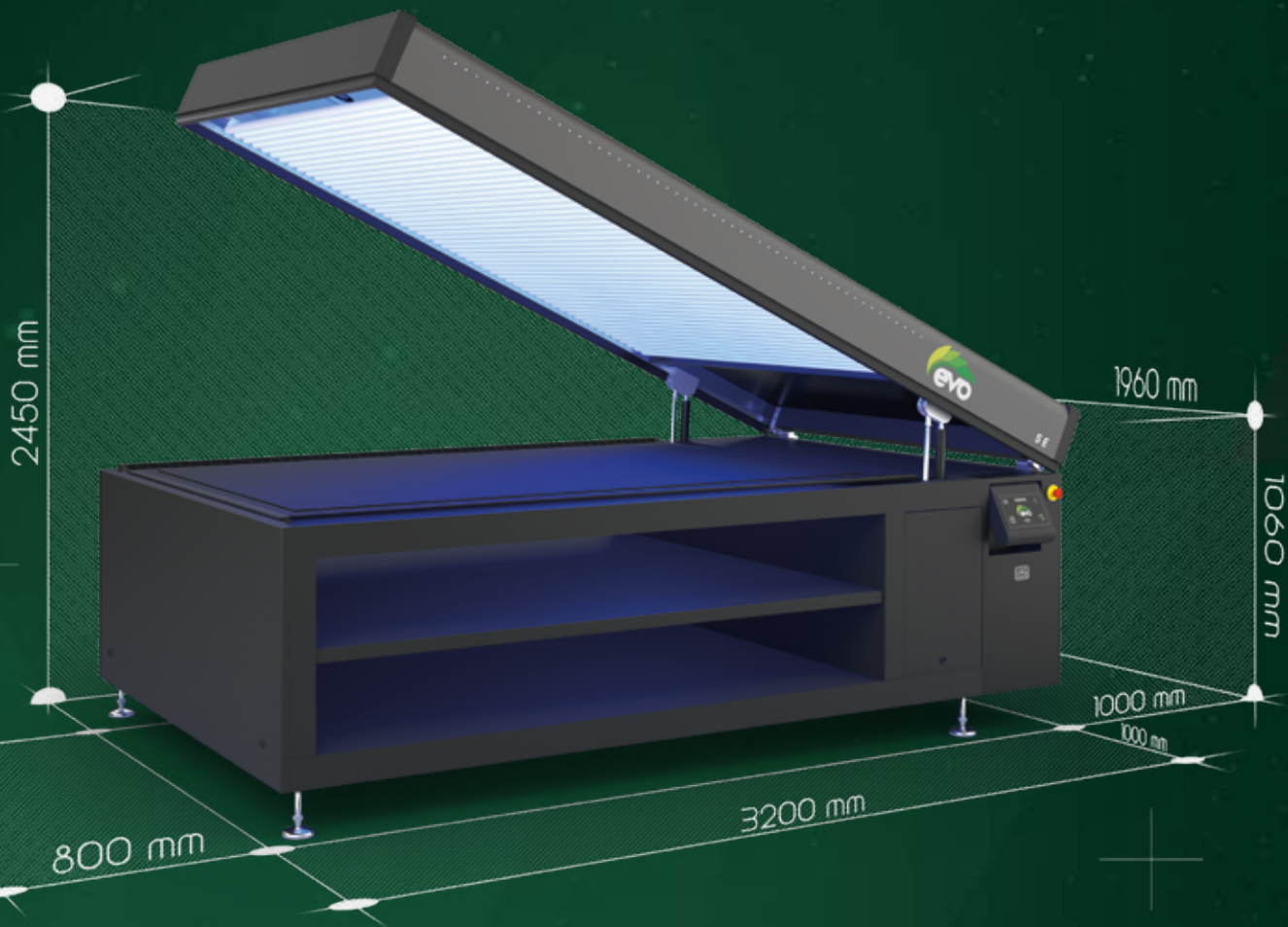
## EXPOSURE SECTION

- ▷ **Clamshell design** with an automatic pneumatic lid
- ▷ **Water circulation** cooling bed system
  - ▷ Light integrator for **automatic UV variation compensation**
  - ▷ Advanced **temperature control**
  - ▷ Vacuum system for analog plates
- ▷ Fiber optics for **lamp failure detection**



# 5 Exposure

## TECHNICAL SPECIFICATIONS



### Dimensions L-W-H



2640 x 1740 x 1060 (open 2450) mm  
103.9 x 68.5 x 41.7 (open 96.5) inches

### Power supply



400V 3PH/N/PE 50/60Hz 4.5kW 8A  
230V 3PH/PE 50/60Hz 4.5kW 14A

### Plate thickness



Up to 7 mm / 0.276 inch

### Packaging Dimensions



2850 x 1850 x 1360 mm | 1130 Kg

### Weight



920 kg | 2024 pounds

### Maximum plate size



120 x 160 cm | 47 x 63 inches

### Compressed air supply



min. 7 bar

### Remote monitoring



Optional